

**Product: TASK DESK - EXECUTIVE DESK**

The distinctive element of the *More* table is the bearing structure consisting of metal legs connected to the horizontal profiles by a fluid arch.

22 mm thick tops are framed, flush with the structure and are available in different finishes and dimensions.

It is an eclectic rectangular table, which can be used as desk, home table, meeting table, high table, island for coffee compositions, reception, coffee table or console.

*More* desk is available in various height and dimensions with an easy wire system.



**TECHNICAL FEATURES**

**Tops:**

**Desk top:** tops are 22 mm thick, flush with structure in melamine, White Snow laminate, sablè lacquered, ceramic, back-lacquered etched extra light glass finish or clear glass.

The executive desk is also available with Veneer top and is not available with melamine top.

**Return top for task desk:** available in melamine, White Snow laminate, sablè lacquered, back-lacquered etched glass or ceramic.

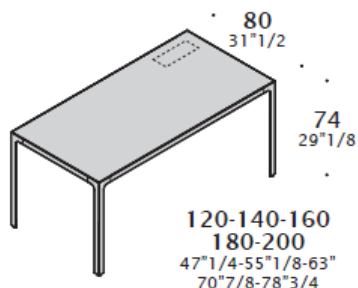
**Top profiles:** Aluminium profiles, connected to the legs create a structure that is independent from the top.

**Legs:** legs are exsopy powder coated or in Luxury metal with regulation feet.

**Drawers and cabinets bases:** available in melamine or sablè lacquered finish. Internal drawers are in Melamine. On request they can be quoted in metal.

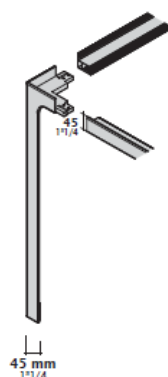
**Modesty Panel:** available in Veneer or in Time.

**DIMENSIONS**



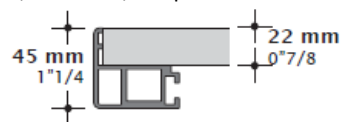
Options:  
H 74 and D 80 available with all width options.

**Technical details.**

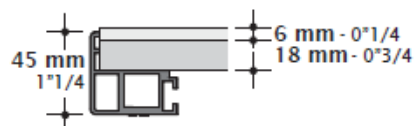


Detail: leg - top profiles connection.

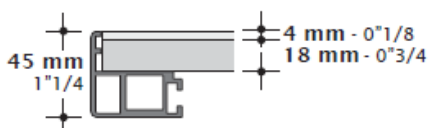
Melamine, Laminate, Lacquered and Veneer tops.



Ceramic tops.



Back-lacquered etched glass tops.



**FINISHES**

**Tops:**

**Melamine:** UE White, Silver, Titanio, Delavè, Comfort, White Snow, Magnolia, Oak 2017, Eucalyptus, White Colour Fir.

**White Snow Laminate.**

**Sablè lacquered,** available in different sample collection colours.

**Ceramic:** Calacatta Soft, Calacatta Glossy, Walks 1.0 White, Walks 1.0 Gray, Le Roche Ecrù, Statuario Glossy, Ardoise Ecrù, Ardoise Noir, Nero Marquinia, Le Roche Grey, Industrial Ivory, Industrial Plomb.

**Back-lacquered etched glass:** White, Silver, Titanio, Brown, Alfa Red.

**Return desk tops:**

**Melamine:** see desk top finishes.

**White Snow Laminate.**

**Sablè lacquered,** available in different sample collection colours.

**Glass:** see desk tops finishes.

**Ceramic:** see desk tops finishes.

**Top profiles:**

**Varnished Aluminium:** Glossy UE White, Glossy or matt White Snow, matt Carbon Glacè, glossy Alfa Red, matt Titanio.

**Luxury Metal:** Chromed, glossy Nickel Black, matt Bronze, matt Brass, matt Antique Brass, Pewter Quarz, Brunished Cobalt.

**Legs:**

**Varnished Metal:** see top profiles finishes.

**Luxury Metal:** see top profiles finishes.

**Bases structure:**

**Melamine:** see desk top finishes.

**Sablè lacquered,** available in different sample collection colours.

**Modesty Panel:**

**Veneer:** Magnolia, White Colour Fir, Nuvola stained Oak, Natural Oak 2016, American Walnut, Eucalyptus, Wengè, Zebrano Brown, Ebano.

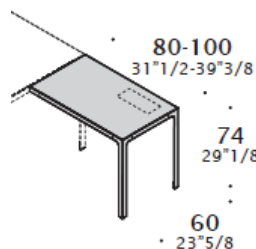
**Time 800,** for task desk.

**Time 791,** for executive desk.

Also available other eco leathers with a surcharge.

**Single desk accessories.**

Return desk for single desk.

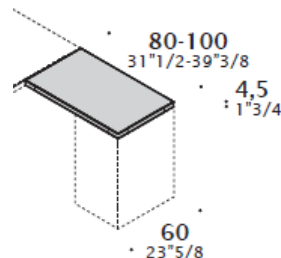


Options:

H74 + W80 + D60

H74 + W100 + D60

Return for pedestal or filing cabinet storage.

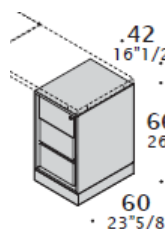


Options:

L80 + D60, th.4,5

L100 + D60 th.4,5

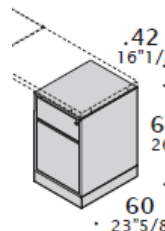
3 drawers base.



Options:

H66 + W42 + D60

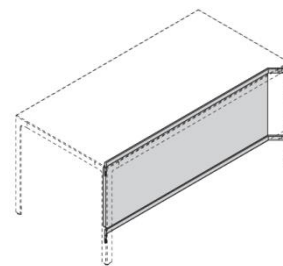
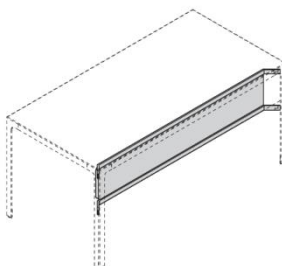
Base with filing cabinet.



Options:

H66 + W42 + D60

H30 (11 3/4) and H60 (23 5/8) Modesty Panels.



**Product: BENCHES**

The distinctive element of the *More* table is the bearing structure consisting of metal legs connected to the horizontal profiles by a fluid arch.

22 mm thick tops are framed, flush with the structure and are available in different finishes and dimensions.

It is an eclectic rectangular table, which can be used as desk, home table, meeting table, high table, island for coffee compositions, reception, coffee table or console.

*More* desk is available in various height and dimensions with an easy wire system.



**TECHNICAL FEATURES**

**Tops:**

**Desk top:** tops are 22 mm thick, flush with structure in melamine, White Snow laminate, sablè lacquered, ceramic, back-lacquered etched glass or clear glass.

**Top profiles:** Aluminium profiles, connected to the legs create a structure that is independent from the top.

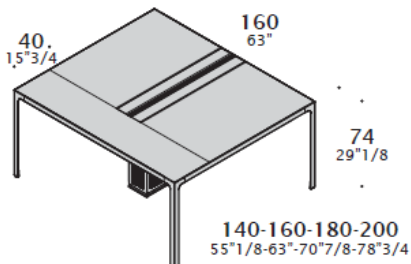
**Legs:** legs are exsposy powder coated or in Luxury metal with regulation feet.

**Screen panels:** available both frontal or side panels, with fabric finish, fabric finish with Aluminium profile or back-lacquered etched glass.

**DIMENSIONS**

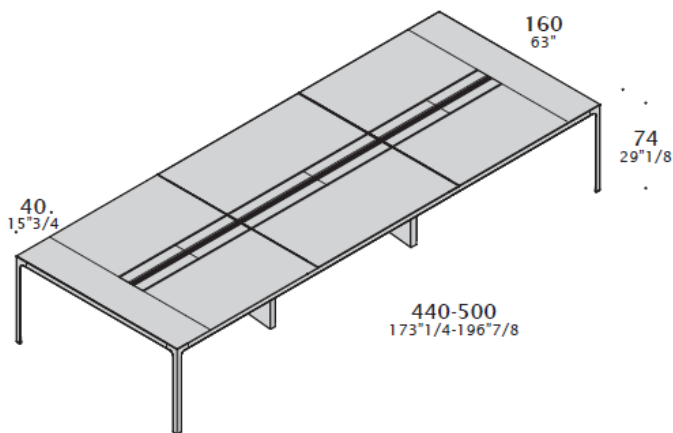
**2 seats bench.**

All width options are available with D160 and H74. Available with full lenght equipped bar.



**6 seats bench.**

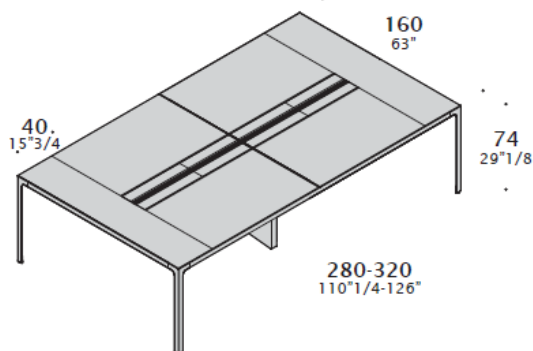
All width options are available with D160 and H74. Available with full lenght equipped bar.



6 seats bench with full lenght equipped bar is available only with **360-420-480 (141 3/4 - 165 3/8 - 189 3/4)** width options.

**4 seats bench.**

All width options are available with D160 and H74. Available with full lenght equipped bar.



**FINISHES**

**Tops:**

**Melamine:** UE White, Silver, Titanio, Delavè, Comfort, White Snow, Magnolia, Oak 2017, Eucalyptus, White Colour Fir.

**White Snown Laminate.**

**Sablè lacquered,** available in different sample collection colours.

**Back-lacquered etched glass:** White, Silver, Titanio, Brown, Alfa Red.

**Ceramic:** Calacatta Soft, Calacatta Glossy, Statuario Soft, Statuario Glossy, Walks 1.0 White, Walks 1.0 Gray, Le Roche Ecrù, Ardoise Ecrù, Ardoise Noir, Nero Marquinia, Le Roche Grey, Industrial Ivory, Industrial Plomb.

**Top profiles:**

**Varnished Aluminium:** Glossy UE White, Glossy or matt White Snow, matt Carbon Glacè, glossy Alfa Red, matt Titanio.

**Luxury Metal:** Chromed, glossy Nickel Black, matt Bronze, matt Brass, matt Antique Brass, Pewter Quarz, Brunished Cobalt.

**Legs:**

**Varnished Metal:** see top profiles finishes.

**Luxury Metal:** see top profiles finishes.

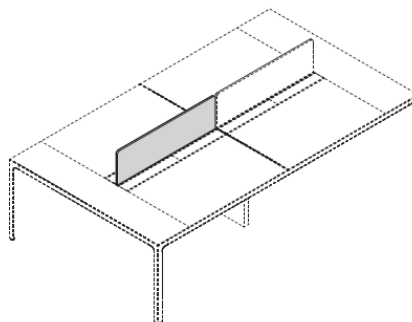
**Screen panels:**

Smart Office - Fabric cat. B, F, G, L.

Varnished Aluminium profile, see top profiles finishes.

**Back-lacquered etched glass,** see top finishes.

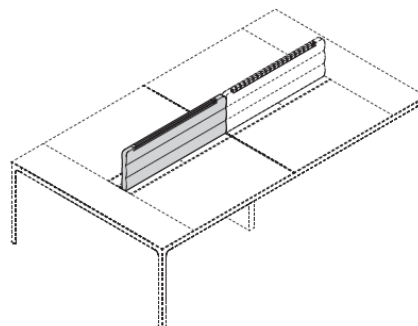
**Accessories for benches.**



Screen panel in fabric.

W 100-120-140-160 (39''3/8-47''1/4-55''1/8-63'')

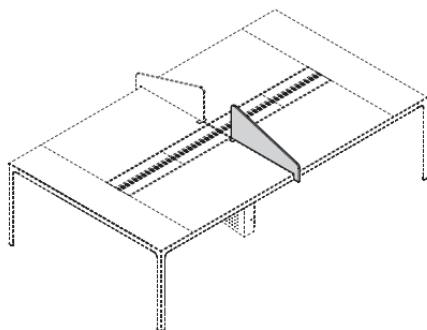
H 36 (14''1/8available with all width options.



Screen panel in fabric with Aluminium profile.

W 100-120-140-160 (39''3/8-47''1/4-55''1/8-63'')

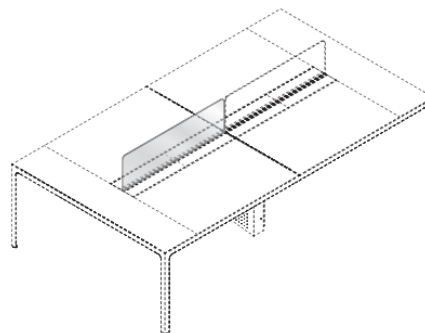
H 36 (14''1/8available with all width options.



Side panel.

W 65 (25''5/8)

H 36 (14''1/8)

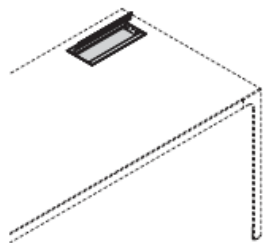


Screen panel in glass.

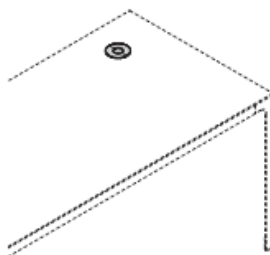
W 100-120-140-160 (39''3/8-47''1/4-55''1/8-63'')

H 36 (14''1/8) available with all width options.

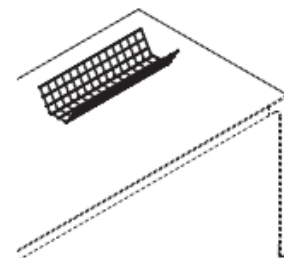
**ELECTRIFICATION - Accessories.**



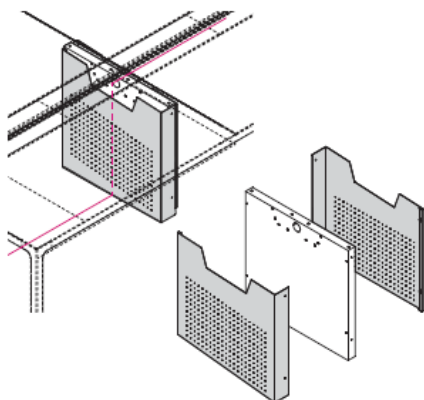
**Top access:** the top access flip is in the same finish as the top, the profile is in the same finish as the structure and legs. The top access is not included in the compositions. In the drawings, the dashed lines shown the position of the top access.



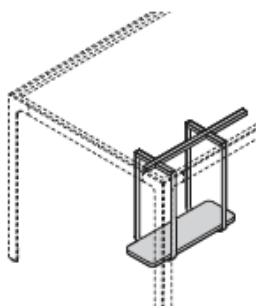
**Cable outlet.**



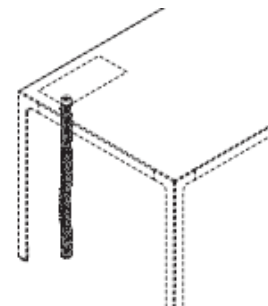
**Cable tray:** metal net cable tray 50 cm width to be used with top access or cable outlet.



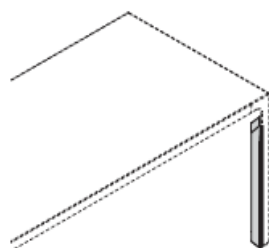
**Cover panel for intermediate leg.**



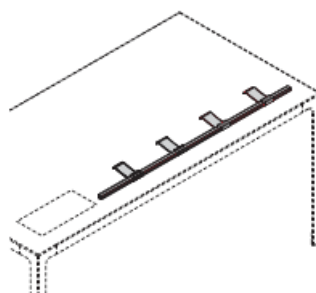
**CPU holder.**



**Cable management tube for single desk and for bench.**

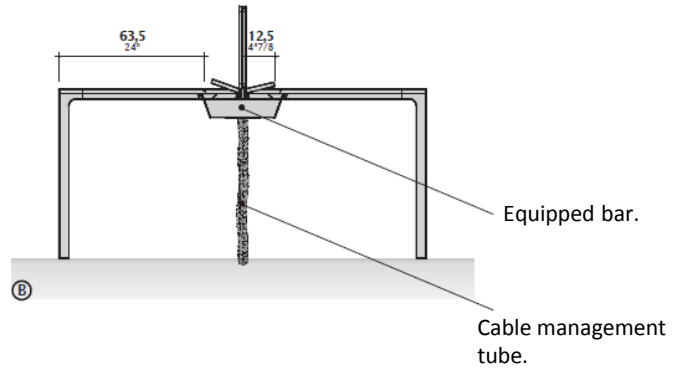
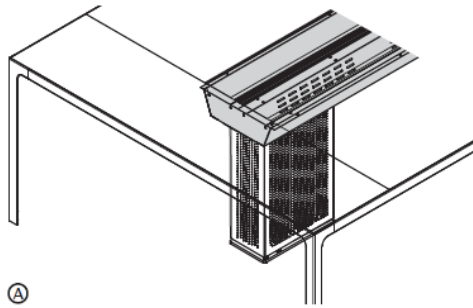


**Leg cable cover.**



**Horizontal vertebra:** adding the horizontal vertebra, the desk can be easily wired.

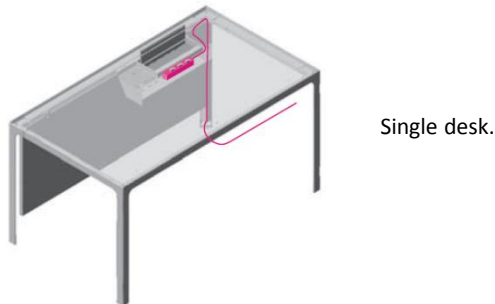
**ELECTRIFICATION**



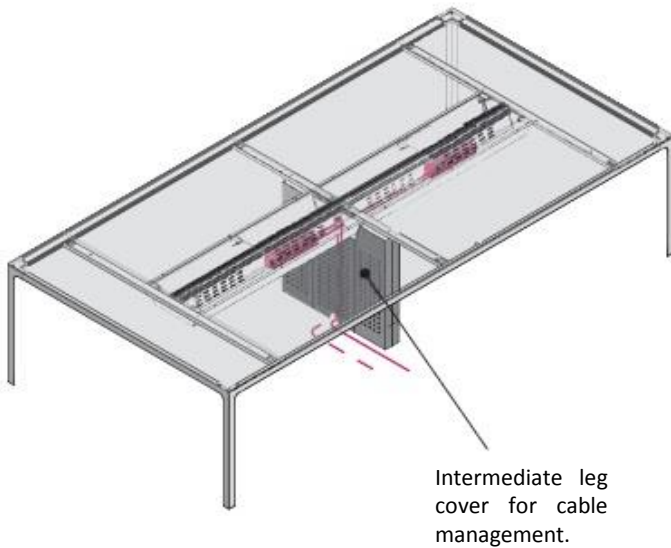
**Cable tray for bench:** shared cable tray in metal for bench, in the same finish as the structure.

**Bench electrification:** equipped bar is in the same finish as the legs, with a pair of flips in the same finish as the top.

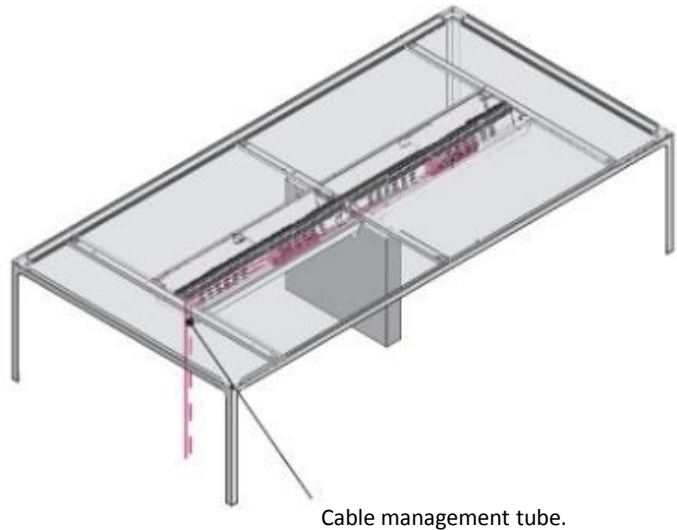
**Electrification examples.**



Single desk.



Intermediate leg cover for cable management.



Cable management tube.